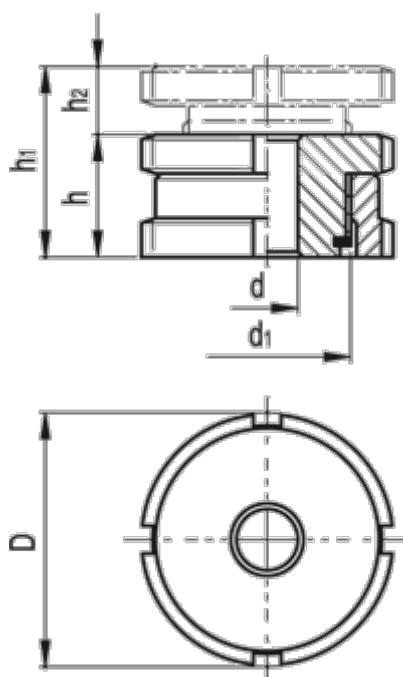


Article number: 20664259A

Description: E+G Levelling set
GN 350.1-70-22-ST

Measures



C-spanner DIN 1810 = A68-75	
d	= 22.0
D	= 70
d1	= M50x1.5
For screw	= M20
h	= 33
h1	= 43
h2	= 10

Max static load (N)	= 330.0
Static preload (N)	= 210.0
Weight (g)	= 788